

* 17.5 tapered 3,10° to 19.04

iMaXX ref.	Description	Material
HCF201	Fuse holder for CF series cubeOTO	Base: brass, Sn plated
	vertical battery+ terminal connect M8	Bolts & nuts: steel, Zn plated
CF-M8	Optional insulating nut, M8	M8 nut: steel Sn plated
		Molded part: PPS, black
HCF102	Optional insulating shoulder washer, M8	Nylon, red

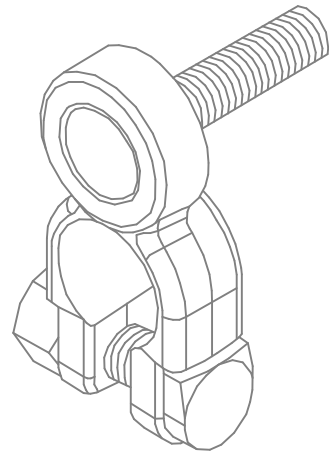
insulating nut: CF-M8



washer: HCF102



Optional parts not to scale. Please see corresponding drawings for details.



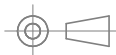
Revisions

Date	Type	Drawn	Date	Appr.
		GRH	02/17	
		Checked	AdH	02/17
		Standards		
		Approved	BE	02/17



Scale 1 : 1

Projection



Tolerance
± 0.2 mm unless
otherwise noted

Title HCF201 series, cubeOTO fuse holder

Drawing type schematic

Drawing number HCF201 drawing 1

Sheet 1 of 1

Layers / Sheet 0 1 2 6 9 Sheet 01