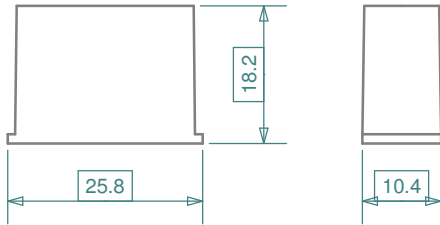
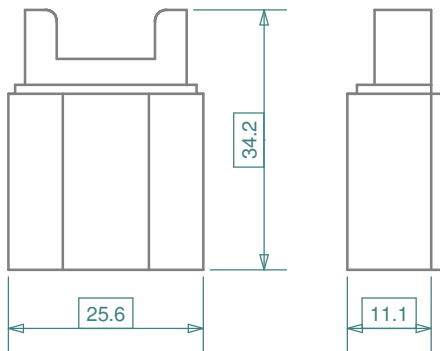
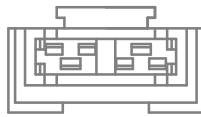


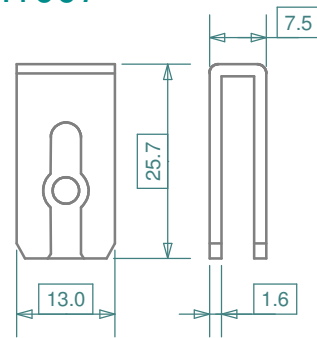
H1005



H1010



H1007



iMaXX ref.	Description
H1010	FH normOTO bakelite 6.3 tabs vert. 1p link
H1005	cover for fuse holder H1010
H1007	mounting bracket steel, for fuse holder H1010

Revisions			Date	Appr.
a	07/11	updated dimensions	06/09	AdH
			06/09	AdH
			06/09	AdH



Scale	1 : 1	Title	H1010 series, normOTO fuse holder
Projection		Drawing type	schematic
Tolerance	± 0.3 mm unless otherwise noted	Drawing number	H1010 drawing 1
		Sheet	1 of 1
		Layers / Sheet	0 1 2 6 9 Sheet 01