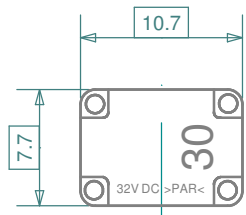


A

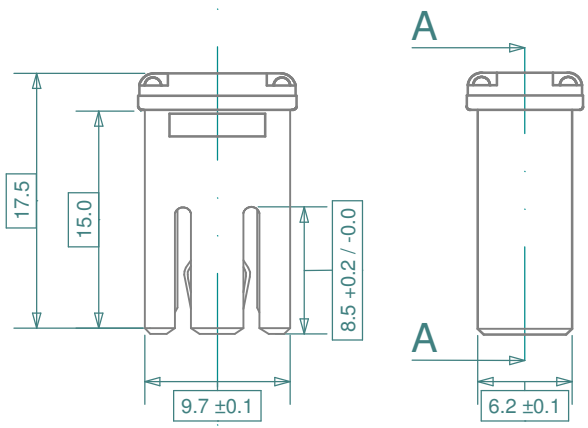
A



iMaXX ref.	Rating [A]	Volt [V]	Color
L015JMS	15	32	Gray
L020JMS	20	32	Blue
L025JMS	25	32	White
L030JMS	30	32	Pink
L040JMS	40	32	Green
L050JMS	50	32	Red
L060JMS	60	32	Yellow

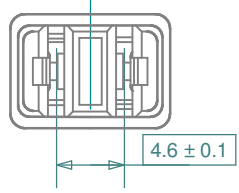
B

B

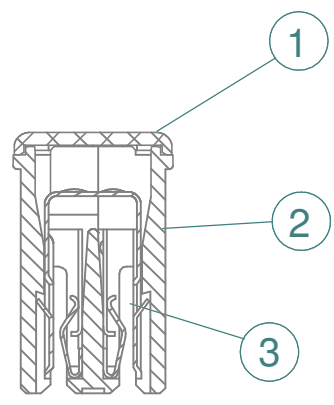


C

C



section A - A



Key	
1	Top cover, PAR
2	Housing, PA 66
3	Element, copper alloy

D

D

Revisions		Date	Appr.
Date	Type	Drawn	08/18 GRH
		Checked	08/18 BE
		Standards	
		Approved	08/18 AdH
		Scale	not to scale
		Projection	Tolerance ± 0.2 mm unless otherwise noted



F

F

Title	L - JMS series, japOTO SlowBlow fuse
Drawing type	schematic
Drawing number	L - JMS drawing 1a
Sheet	1 of 1
Layers / Sheet	01 2 3 4 6 8 9