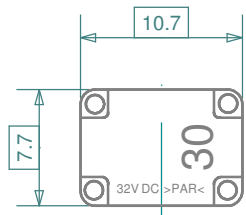


A

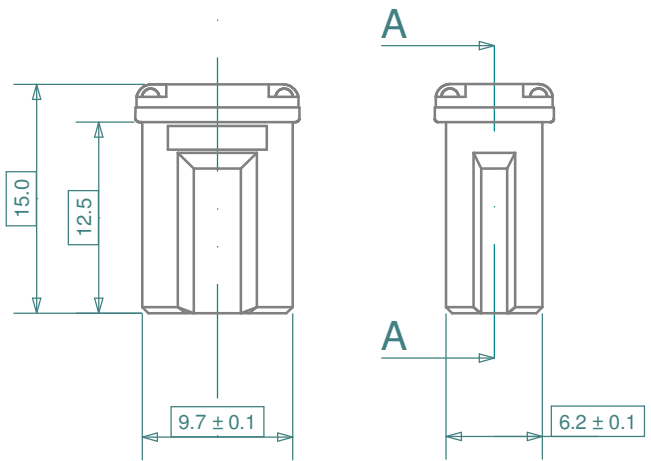
A



iMaXX ref.	Rating [A]	Volt [V]	Color
L015JM	15	32	Gray
L020JM	20	32	Blue
L025JM	25	32	White
L030JM	30	32	Pink
L040JM	40	32	Green

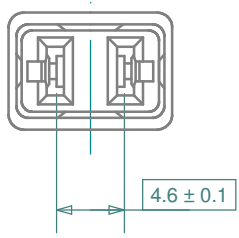
B

B

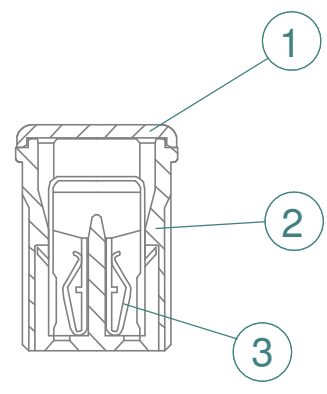


C

C



section A - A



Key	
1	Top cover, PAR
2	Housing, PA 66
3	Element, copper alloy

D

D

E

E

Revisions		Drawn	Date	Appr.
	Date	Type		
a	01/11	added 15 & 25 amp ratings	01/09	GRH
b	05/17	added rated voltage	05/17	BE
		Standards	05/17	AdH
		Approved		



F

F

Scale	not to scale	Title	L - JM series, japOTO SlowBlow fuse
Projection	Tolerance ± 0.2 mm unless otherwise noted	Drawing type	schematic
		Drawing number	L - JM drawing 1a
		Sheet	1 of 1
		Layers / Sheet	0 1 2 4 6 8 9