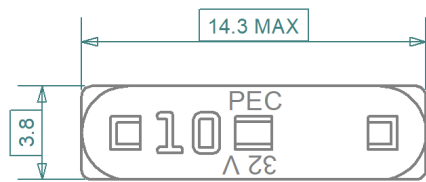
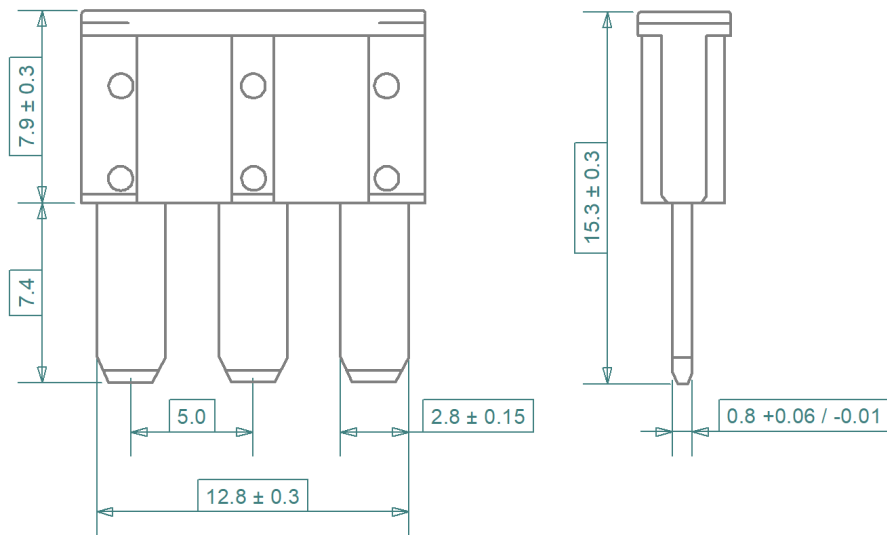


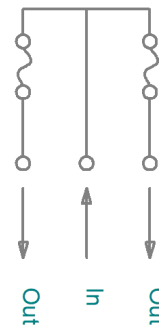
A



B



Circuit diagram: 1 input and 2 "fused" outputs



C

Rating [A]		Color	Volt [V]	iMaXX Reference
Fuse 1	Fuse 2			
5	5	Tan	32	FM3005
7.5	7.5	Brown	32	FM3075
10	10	Red	32	FM3010
15	15	Blue	32	FM3015

Fusing time DIN ISO 8820-13 [s]		
Load [%]	Minimum [s]	Maximum [s]
110 %	360,000	-
135 %	0.75	600
160 %	0.25	50
200 %	0.15	5
350 %	0.04	0.5
600 %	0.02	0.1

Notes	
Body	PA66, color coded with OCR printed rating
Element	Zinc alloy, silver plated blades

E

Revisions			Date	Appr.
	Date	Type	Drawn	01/20 GRH
a	01/20	fuse blade shape updated	Checked	01/20 BE
b	06/20	ISO norm updated	Standards	
			Approved	01/20 AdH
			Scale	3 : 1
			Projection	Tolerance ± 0.2 mm unless otherwise noted
			Title	FM3000 series, mikrOTO blade fuse
			Drawing type	schematic
			Drawing number	FM3000 drawing 1
			Sheet	1 of 1
			Layers / Sheet	0 1 2 3 6 9



F

